



**Arton**<sup>®</sup>  
an italian art



Product By :  
**CHOPRA UDYOG PRIVATE LIMITED**

Reg. Office  
Chopra Tower, Rajarhat, Kolkata - 700135

CUSTOMER CARE  
Email - artonindia22@gmail.com  
Web : arton.co.in  
Contact : +91 86970 99907



SANITARYWARE  
SINK  
FAUCET

Product  
Catalogue : 2025/26



Web : arton.co.in

**Arton**<sup>®</sup>  
an italian art



**LUX  
URIES**

are affordable

Email - [artonindia22@gmail.com](mailto:artonindia22@gmail.com)

SANITARYWARE COLLECTION

**Arton**<sup>®</sup>  
an italian art

# INDEX

- 01. ONE PIECE COMMODORE
- 12. WALL HUNG COMMODORE

---

- 18. BACK TO WALL COMMODORE
- 21. ONE PCS FULL BASIN

---

- 22. ONE PCS HALF BASIN
- 23. TABLE TOP BASIN

---

- 34. FULL PEDESTAL BASIN
- 38. WALL MOUNTED BASIN

---

- 42. URINAL
- 45. EWC COMMODORE

---

- 46. DESIGNER COLLECTION
- 58. FLUSH TANKE

---

- 59. S.S. KITCHEN SINK
- 61. HANDMADE KITCHEN SINK

---

- 62. QUARTZ KITCHEN SINK
- 71. ACCESSORIES

Email - [artonindia22@gmail.com](mailto:artonindia22@gmail.com)



AGOSTA

"P" Trap Wall Distance 180 mm  
"S" Trap Wall Distance 225 mm  
755 x 665 x 340 mm

MRP : 9800/-



SOFT CLOSE  
SEAT COVER



MARIUS

"P" Trap Wall Distance 180 mm  
"S" Trap Wall Distance 225 mm  
745 x 625 x 345 mm

MRP : 11800/-



SOFT CLOSE  
SEAT COVER



CAMILIA

"P" Trap Wall Distance 180 mm  
"S" Trap Wall Distance 225 mm  
745 x 670 x 380 mm

MRP : 14000/-



SOFT CLOSE  
SEAT COVER



RIMLESS  
CLOSET



IN BUILT  
JET SPRAY



KONAD

"P" Trap Wall Distance 180 mm  
"S" Trap Wall Distance 225 mm  
765 x 640 x 355 mm

MRP : 12000/-



SOFT CLOSE  
SEAT COVER

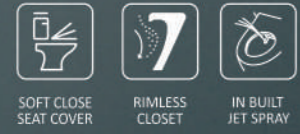


RIMLESS  
CLOSET



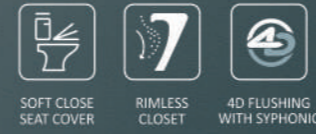
CARMON

"P" Trap Wall Distance 180 mm  
"S" Trap Wall Distance 225 mm  
730 x 660 x 360 mm  
MRP : 13500/-



JULIUS

"S" Trap Wall Distance 225 mm  
690 x 670 x 380 mm  
MRP : 16000/-



MENTOS

"P" Trap Wall Distance 180 mm  
"S" Trap Wall Distance 100 / 225 / 300 mm  
740 x 670 x 350 mm

MRP : 13500/-



SOFT CLOSE  
SEAT COVER



RIMLESS  
CLOSET



IN BUILT  
JET SPRAY



EASTON

"P" Trap Wall Distance 180 mm  
"S" Trap Wall Distance 225 mm  
735 x 655 x 360 mm

MRP : 12500/-



SOFT CLOSE  
SEAT COVER



RIMLESS  
CLOSET



WALL  
HUNG  
COLLECTION



ARMIDA

545 x 355 x 350 mm  
MRP : 10500/-



SOFT CLOSE  
SEAT COVER



RIMLESS  
CLOSET



IN BUILT  
JET SPRAY





**MEDOX**

520 x 370 x 350 mm  
MRP : 9000/-



SOFT CLOSE  
SEAT COVER



RIMLESS  
CLOSET



**MARSHILA**

540 x 365 x 380 mm  
MRP : 8800/-



SOFT CLOSE  
SEAT COVER



RIMLESS  
CLOSET



**STIENS**

525 x 340 x 340 mm  
MRP : 8000/-



SOFT CLOSE  
SEAT COVER



**ROXAN**

510 x 350 x 360 mm  
MRP : 9200/-



SOFT CLOSE  
SEAT COVER



RIMLESS  
CLOSET



IN BUILT  
JET SPRAY

POLAR

535 x 350 x 360 mm  
MRP : 9500/-



SOFT CLOSE  
SEAT COVER



RIMLESS  
CLOSET



IN BUILT  
JET SPRAY



ORAN

520 x 360 x 360 mm  
MRP : 8500/-



SOFT CLOSE  
SEAT COVER



RIMLESS  
CLOSET





**WINTA**

485 x 355 x 360 mm  
MRP : 6000/-



SOFT CLOSE  
SEAT COVER



RIMLESS  
CLOSET



**ENIGMA**

520 x 335 x 350 mm  
MRP : 5500/-



SOFT CLOSE  
SEAT COVER



RIMLESS  
CLOSET



BACK  
TO WALL  
COLLECTION



**ANKAN**

"S" Trap Wall Distance 100mm  
"P" Trap Wall Distance 180mm  
550 x 415 x 375 mm  
MRP : 6200/-



SOFT CLOSE  
SEAT COVER



**HEXEL**

"S" Trap Wall Distance 100mm  
"P" Trap Wall Distance 180mm  
540 x 405 x 360 mm  
MRP : 9000/-



SOFT CLOSE  
SEAT COVER



IN BUILT  
JET SPRAY

**WELZIN**

"S" Trap Wall Distance 100mm  
"P" Trap Wall Distance 180mm  
550 x 415 x 350 mm  
MRP : 7600/-



SOFT CLOSE  
SEAT COVER



**SINTRA**

"S" Trap Wall Distance 100mm  
"P" Trap Wall Distance 180mm  
565 x 355 x 400 mm  
MRP : 9500/-



RIMLESS  
CLOSET



IN BUILT  
JET SPRAY





**ROSEN**

455 x 455 x 860 mm  
MRP : 6800/-



**BOLSA**

470 x 425 x 855 mm  
MRP : 7500/-



**NICOLAS**

500 x 405 x 355 mm  
MRP : 5200/-



**ETHAN**

475 x 425 x 360 mm  
MRP : 4800/-





**PAUL**

575 x 405 x 140 mm  
MRP : 8500/-



**ELINE**

415 x 345 x 165 mm  
MRP : 2800/-



**GARNEL**

480 x 365 x 130 mm  
MRP : 4100/-

**LUBEK**

545 x 355 x 135 mm  
MRP : 3500/-



**FEDI**

390 x 390 x 140 mm  
MRP : 4000/-



**DOVER**

600 x 400 x 145 mm  
MRP : 4500/-





**COLIMA**

515 x 340 x 140 mm  
MRP : 3100/-



**AKIRA**

430 x 430 x 125 mm  
MRP : 4200/-



**DEVON**

455 x 390 x 120 mm  
MRP : 4500/-



**TEPIS**

635 x 395 x 145 mm  
MRP : 4200/-





**TED**

410 x 410 x 140 mm  
MRP : 3100/-



**FLAKE**

425 x 420 x 140 mm  
MRP : 4000/-



**CRYA**

425 x 320 x 130 mm  
MRP : 3400/-

MARKEL

705 x 385 x 140 mm  
MRP : 4800/-



LONZA

460 x 335 x 135 mm  
MRP : 3050/-

FELIX

400 x 400 x 160 mm  
MRP : 2800/-





**ZUCA**

520 x 370 x 200 mm  
MRP : 4000/-



USER SIDE  
OVERFLOW

**LAB SINK**

640 x 480 x 295 mm  
MRP : 9500/-



**ELVINO / OLIN**

BWB 4011 + BPD 6003  
460 x 465 x 850 mm  
MRP : 4400/-

**WALTER / OLIN**

BWB 4006 + BPD 6003  
525 x 420 x 865 mm  
MRP : 4400/-





CONRAD / LUCAS

BWB 4017 + BPD 6002  
465 x 365 x 840 mm  
MRP : 3600/-



ROLF / BRUNO

BWB 4019 + BPD 5003  
410 x 320 x 830 mm  
MRP : 3250/-



ELDORA / TORIN

BWB 4012 + BPD 6001  
630 x 485 x 880 mm  
MRP : 5100/-



**ARMIS**

340 x 360 x 145 mm  
MRP : 1650/-



**AVENA**

350 x 345 x 145 mm  
MRP : 1950/-



**WALTER**

525 x 420 x 210 mm  
MRP : 2850/-



**OTIS**

360 x 425 x 135 mm  
MRP : 1500/-



**ELVINO**

460 x 465 x 195 mm  
MRP : 2850/-



**KELI**

360 x 360 x 145 mm  
MRP : 1500/-



**PERU**

420 x 290 x 140 mm  
MRP : 1450/-





**PANARI**

485 x 320 x 190 mm  
MRP : 980/-



**TUSCON**

480 x 360 x 180 mm  
MRP : 1100/-



**RONAM**

630 x 330 x 330 mm  
MRP : 6200/-

📶 SENSOR MRP : 14500/-

TOTAL MRP : 20700/-





**FEMI**

550 x 340 x 295 mm  
MRP : 4000/-



**RONAM**

635 x 330 x 320 mm  
MRP : 6000/-



**POOL**

255 x 330 x 410 mm  
MRP : 1700/-



**JESSEN**

490 x 380 x 110 mm  
MRP : 1800/-

**LADIES URINAL POT**



**20" ORISSA PAN**

525 x 430 x 240 mm  
MRP : 1500/-



**23" ORISSA PAN**

590 x 450 x 280 mm  
MRP : 1800/-



**20" CITY PAN**

530 x 430 x 190 mm  
MRP : 1500/-

**EWC - S**

550 x 365 x 420 mm  
MRP : 2080/-  
SEAT COVER MRP : 500/-



**EWC - P**

540 x 365 x 420 mm  
MRP : 2080/-  
SEAT COVER MRP : 500/-



**ANGLO - S**

585 x 480 x 405 mm  
MRP : 4000/-  
SEAT COVER MRP : 650/-



**ANGLO - P**

575 x 480 x 390 mm  
MRP : 4000/-  
SEAT COVER MRP : 650/-



**MENTOS GREY (GLOSSY / MATT)**

"P" Trap Wall Distance 180 mm  
"S" Trap Wall Distance 225 mm  
670 x 350 x 740 mm  
MRP : 19500/-

**MENTOS BLACK (GLOSSY \ MATT)**

"P" Trap Wall Distance 180 mm  
"S" Trap Wall Distance 225 mm  
670 x 350 x 740 mm  
MRP : 19500/-





**MEDOX GREY (GLOSSY / MATT)**

520 x 370 x 350 mm  
MRP : 15600/-

**MEDOX BLACK (GLOSSY / MATT)**

520 x 370 x 350 mm  
MRP : 15600/-



**FONZA GREY (GLOSSY \ MATT)**

480 x 390 x 150 mm  
MRP : 8050/-

**FONZA BLACK (GLOSSY \ MATT)**

480 x 390 x 150 mm  
MRP : 8050/-





**STONEX**

480 x 355 x 355 mm  
MRP : 17500/-

**STENA**

455 x 315 x 140 mm  
MRP : 5600/-



**STENLY**

380 x 380 x 835 mm  
MRP : 17200/-



**MILANO**

480 x 355 x 355 mm  
MRP : 17500/-

**MONTE**

455 x 315 x 140 mm  
MRP : 5600/-



**MIRRICK**

380 x 380 x 835 mm  
MRP : 17200/-



**TOREN**

480 x 355 x 355 mm  
MRP : 17500/-

**TERRA**

480 x 370 x 125 mm  
MRP : 5800/-



**TWIST**

383 x 383 x 850 mm  
MRP : 19500/-



**GEO**

480 x 355 x 355 mm  
MRP : 17500/-



**GEOLI**

480 x 370 x 125 mm  
MRP : 4800/-



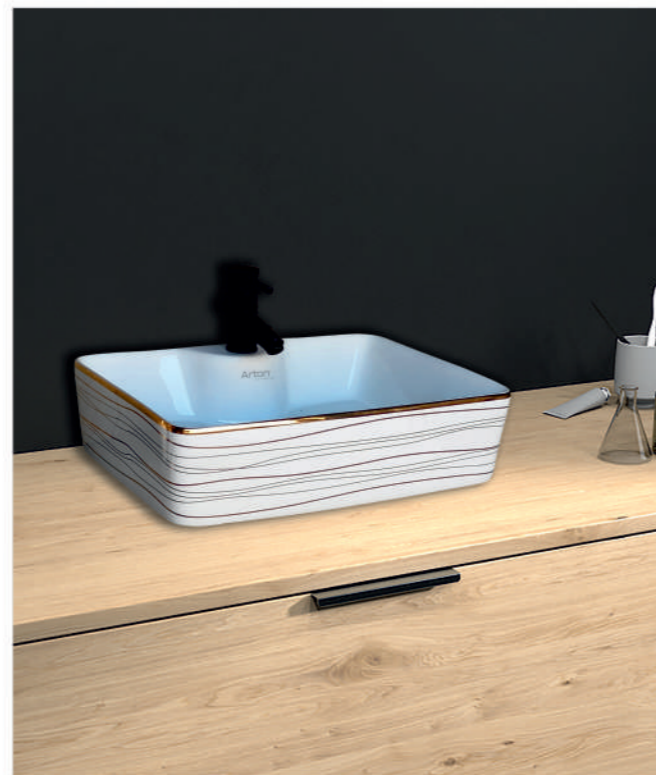
**GEONA**

380 x 380 x 835 mm  
MRP : 15500/-



**RICH**

480 x 355 x 355 mm  
MRP : 17500/-



**RICO**

480 x 370 x 125 mm  
MRP : 4800/-



**FLUSH TANK  
SLIM SIDE HANDLE (CT 01)**

MRP : 1200/-



Strog  
Body



Perfect  
Fitting



Stylish  
Side Handle

**FLUSH TANK  
ULTRA SLIM SINGLE (DUAL COLOR) (CT 03)**

MRP : 1600/-



Strog  
Body



Perfect  
Fitting



**FLUSH TANK  
SLIM SIDE HANDLE (CT 02)**

MRP : 1200/-



Strog  
Body



Perfect  
Fitting



Stylish  
Side Handle

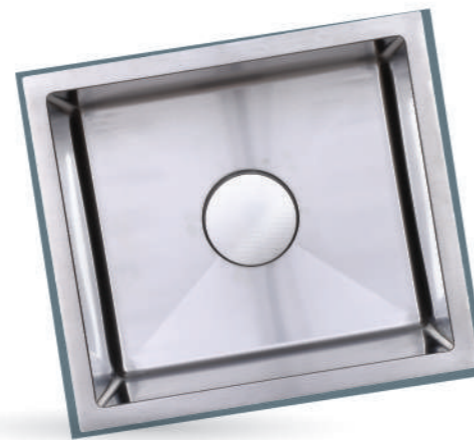


**STAINLESS STEEL  
KITCHEN SINK**

**12 YEARS  
WARRANTY**

**HANDMADE  
KITCHEN SINK**

**25 YEARS  
WARRANTY**



**QUARTZ  
KITCHEN SINK**

**5 YEARS  
WARRANTY**



**Terms & Condition**

- ◆ Warranty Will Be Applied On Sink Body Only And For Residential Use Only.
- ◆ Accessories Are Not Covered By The Warranty.
- ◆ Product Replacement Dose Not Include Any Transportation Cost, Or Installation Cost Or Any Other Charges.

**HEAVY DUTY CERAMIC COATED S.S. SINK**

**THICKNESS : 0.8 mm**



Accessories Included

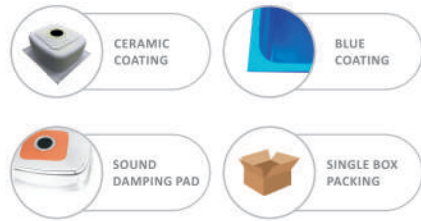


OVER ALL SIZE	BOWL SIZE	FINISH	PACKING	MRP
18"x16"x8"	16"x14"x7"	GLOSSY	1	1930/-
20"x17"x8"	18"x18"x7"	GLOSSY	1	2100/-
21"x18"x8"	19"x16"x7"	GLOSSY	1	2300/-
22"x18"x8"	20"x16"x7"	GLOSSY	1	2400/-
24"x18"x8"	22"x16"x7"	GLOSSY	1	2550/-

**OVEL  
BOWL PREMIUM SERIES**

**HEAVY DUTY DOUBLE BOWL CERAMIC COATED S.S. SINK**

THICKNESS : 0.8 mm



Accessories Included



OVER ALL SIZE	BOWL SIZE	FINISH	PACKING	MRP
37"x18"x8"	16"x14"	GLOSSY	1	5400/-

**HEAVY DUTY DRAIN BOARD CERAMIC COATED S.S. SINK**

THICKNESS : 0.8 mm



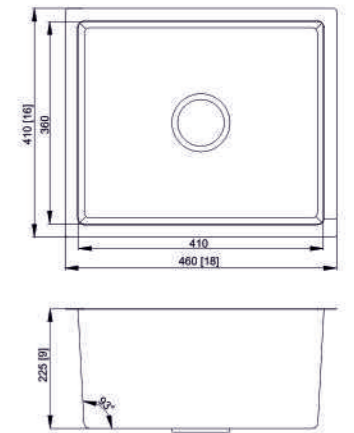
Accessories Included



OVER ALL SIZE	BOWL SIZE	FINISH	PACKING	MRP
37"x18"x8"	16"x14"	GLOSSY	1	4100/-

► **Single Bowl**

THICKNESS : 1 mm



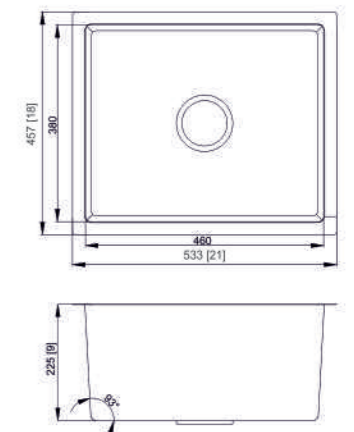
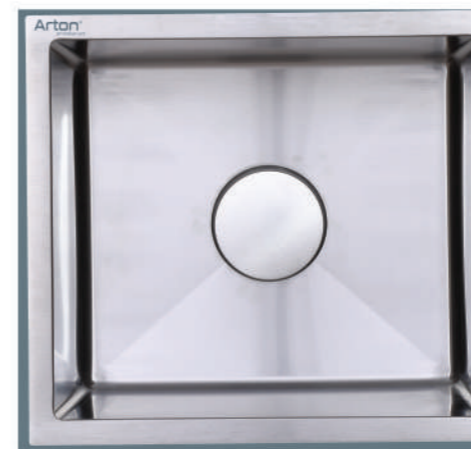
OVER ALL SIZE	Bowl Size	MRP
18"x16"x9"	16"x14"x8"	8,800/-

Accessories Included



► **Single Bowl**

THICKNESS : 1 mm



OVER ALL SIZE	Bowl Size	MRP
21"x18"x9"	19"x16"x8"	10,200/-

Accessories Included



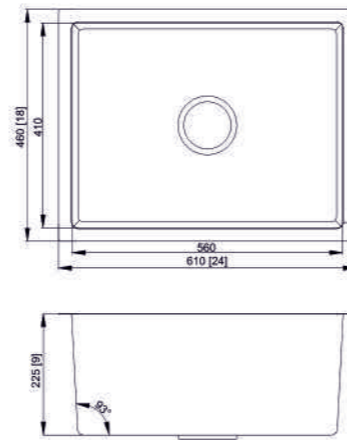
► Single Bowl



304  
STAINLESS  
STEEL



THICKNESS : 1 mm



Accessories Included

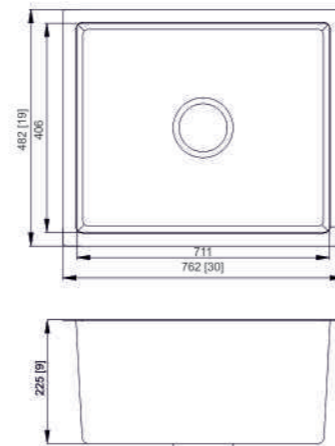


OVER ALL SIZE	Bowl Size	MRP
24"x18"x9"	22"x16"x8"	10,900/-

► Single Bowl



304  
STAINLESS  
STEEL



Accessories Included



OVER ALL SIZE	Bowl Size	MRP
30"x19"x10"	28"x16"x8"	12,750/-

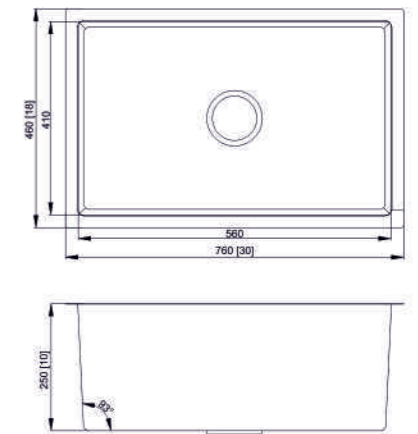
► Revolt ind Waterfall



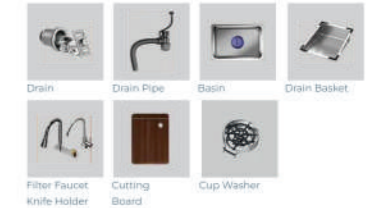
304  
STAINLESS  
STEEL



THICKNESS : 1 mm



Accessories Included



OVER ALL SIZE	Bowl Size	MRP
30"x18"x10"	28"x16"x8"	27,000/-

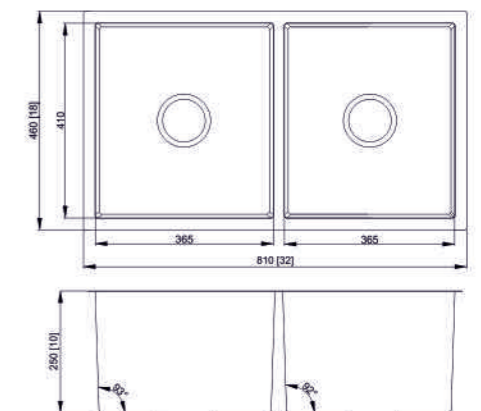
► Double Bowl



304  
STAINLESS  
STEEL



THICKNESS : 1 mm



Accessories Included



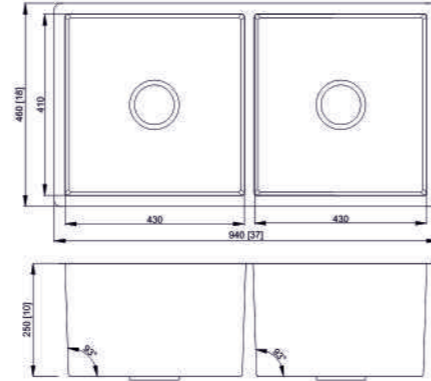
OVER ALL SIZE	Bowl Size	MRP
32"x18"x10"	14"x16"x8"	19,450/-

► Double Bowl

THICKNESS : 1 mm



304  
STAINLESS  
STEEL



Accessories Included



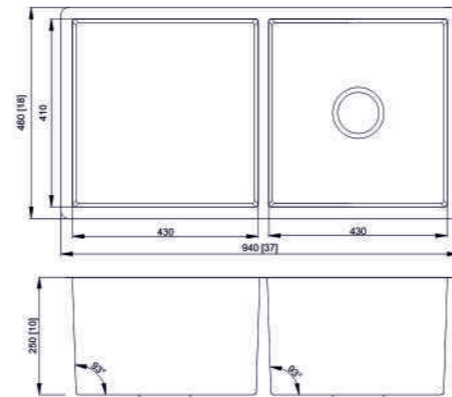
OVER ALL SIZE	Bowl Size	MRP
37" x 18" x 10"	16" x 16" x 8"	20,400/-

► Drain Board

THICKNESS : 1 mm



304  
STAINLESS  
STEEL



Accessories Included



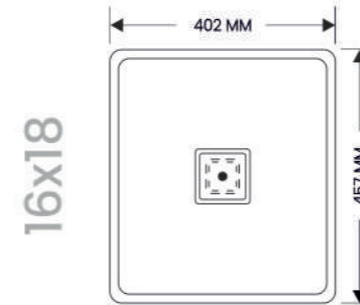
OVER ALL SIZE	Bowl Size	MRP
37" x 18" x 10"	16" x 16" x 8"	16,000/-



OVERALL SIZE	BOWL SIZE	MRP. GRANITE	MRP. METALLIC
16" x 18" x 8"	14" x 16" x 7"	3850/-	4100/-
21" x 18" x 8"	19" x 16" x 7"	4200/-	4450/-
24" x 18" x 8"	22" x 16" x 7"	4550/-	4800/-



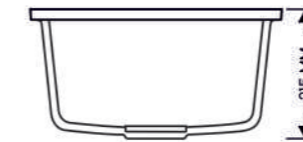
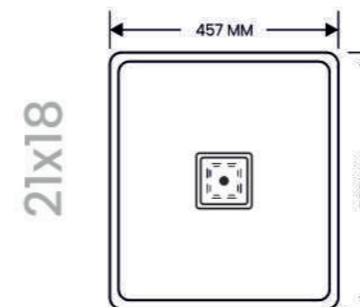
Accessories Included



Specification

Commercial Size - 16x18x8 inch  
Technical Size - 402x457x210 mm

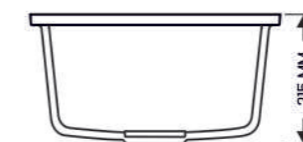
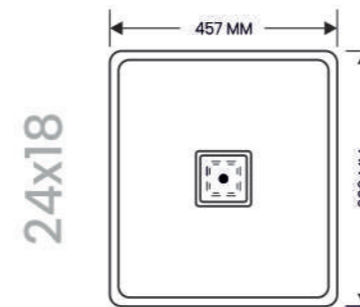
Weight  
7.8 Kg. (Approx)



Specification

Commercial Size - 21x18x8.5 inch  
Technical Size - 457x533x215 mm

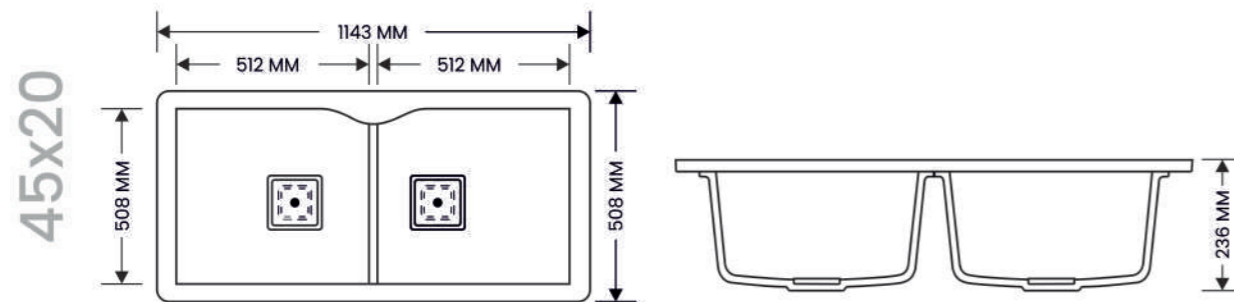
Weight  
10.1 Kg. (Approx)



Specification

Commercial Size - 24x18x8.5 inch  
Technical Size - 457x609x215 mm

Weight  
11.2 Kg. (Approx)



**Specification**

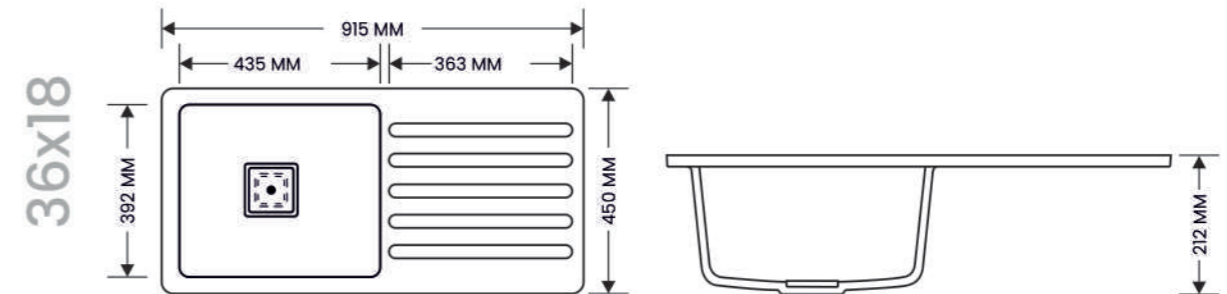
Commercial Size - 45x20x9 inch  
 Technical Size - 1143x508x226 mm

**Weight**

22 Kg. (Approx)

MRP.	Granite	13,500/-
MRP.	Metallic	14,000/-

Accessories Included



**Specification**

Commercial Size - 36x18x8.5 inch  
 Technical Size - 915x457x212 mm

**Weight**

18.5 Kg. (Approx)

MRP.	Granite	9,800/-
MRP.	Metallic	10,100/-

Accessories Included

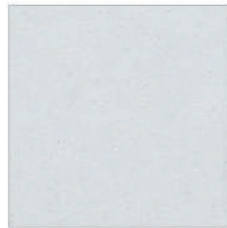


AVAILABLE COLOUR

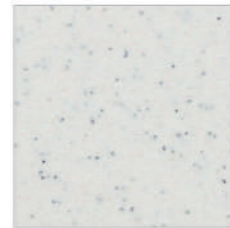
GRANITE SERIES



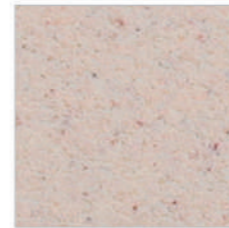
Black Granite



White Granite



Salten Paper



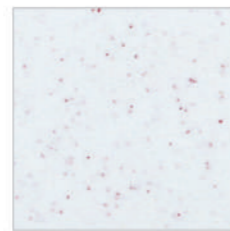
Peach Ivory



Snow Sand



Grey Granite



Red Moon

METALLIC SERIES



Black Metallic



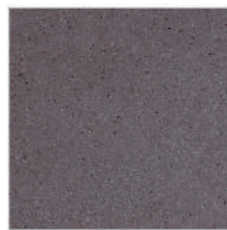
White Metallic



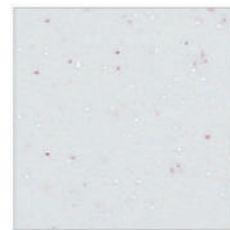
Grey Metallic



Beige Metallic



Brown Metallic



Red Wine

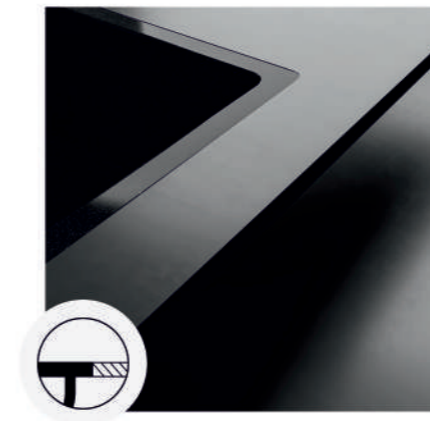
PRODUCT INSTALLATION



**DROP-IN SINK INSTALLATION**

Also known as top-mount or self-rimming sinks, QUARTZ drop-in sinks sit in appropriately shaped holes roughly cut in the countertop using a jigsaw or other cutter appropriate to the material at hand.

Top-mount sinks are therefore suspended by their rim. The rim then inherently forms a fairly close seal with the top surface of the countertop, especially when the sink is clamped into the hole from below. Great for any countertop material, especially laminate which cannot have a clean, polished edge around the sink opening.



**DUAL-MOUNT SINK INSTALLATION**

Dual-mount this will give you a lot of flexibility when the time comes to pick your counter top. If you go with a tile or laminate counter top, you can use it as the drop-in style because of its ultra-flat sink rim.

This flat rim can help seal the edges of the sink hole, and the low-profile flat rim also makes it easy to wipe from the counter directly into the sink. As an under mount, the top side of the ultra-flat rim attaches easily to the bottom of solid-surface counter tops.



**UNDERMOUNT SINK INSTALLATION**

Under-mount or bottom-mount sinks are installed below the countertop surface. The edge of the countertop material is exposed at the hole created for the sink (and so must be a carefully finished edge rather than a rough cut). The sink is then clamped to the bottom of the material from below.

Advantages of an undermount sink include superior ergonomics and a contemporary look. This requires a counter material that can have a polished edge around the sink opening (quartz, granite and marble are beautiful options).

## ACCESSORIES



"P" TRAP BUNDLES ARE AVAILABLE IN PAPER PACKAGING\*

### PTRAP

MRP : 1200/-  
(Per Box 4 Piece)

### SEAT COVER (EWC)

MRP ₹ 500/-

### SEAT COVER (ANGLO)

MRP ₹ 650/-

### SETCOVER (QQ)

(For One Piece & Wall Hung)

MRP ₹ 1200/-



### One Piece Fitting

MRP : 660/-



### S.S. Basin Bolt

MRP : 250/-



### WALL HUNG S. S. RAG BOLT

MRP : 670/-  
(Size : 16mm Dia  
7 Inch Length)



### S.S WEST COUPLING

Size 3 Inch (MRP. 460/-)  
Size 5 Inch (MRP. 590/-)



### URINAL CLAMP

MRP. 180/-



### WEST COUPLUNG BLACK

Size 5 Inch (MRP. 1280/-)



### WEST COUPLUNG GOLD

Size 5 Inch (MRP. 1280/-)



### WEST COUPLUNG ROSE GOLD

Size 5 Inch (MRP. 1280/-)

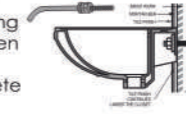


### WEST COUPLUNG WHITE

Size 5 Inch (MRP. 1280/-)

## WALL HUNG BASIN

- 1) The rag bolt should be first grouted into the wall using cement/concrete, (as shown) as per distance between slots provided in the wash basin. The bolts should be fixed perpendicular to the wall. Allow cement/concrete to set. Check if the Rag Bolts are firmly fixed. Fix the Wash Basin in the bolt using Nut & Washer.
- 2) If brackets are use, prefer nylon or aluminum instead of iron brackets as it tends to rust.
- 3) If small basins are screwed to wall, use nylon washers and steel screws.
- 4) While fixing waste outlet, ensure that the rubber washer is placed on the outlet under the basin.



## COUNTER WASHBASIN

### At the beginning

1. A skilled or experienced person should install counter lavatories.
2. Avoid using adhesive with this product.
3. Check the waste area and supply tubing if required.
4. Do not open the lavatory from its protective carton until you are ready for installation.
5. Please follow all local building and plumbing codes.

## MATERIAL & TOOLS



Measure tape, keyhole or saber saw, Hammer, Glasses, Rage or Paper toweling, Drill (1/2 dia, drill bit or larger), Pencil, sealant, sharp knife or scissors.

## INSTALLATION OF LAVATORY

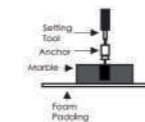
Please Note : Please install it in a way that future removal from underneath the counter top is possible without damaging the counter top.

1. Please check the desired location for clearance between the back splash, faucet, fixture and cabinet.
2. Please cut the template.
3. Please carefully trace the template on the counter top as directed.
4. Please mark the faucet hole centerline on the counter top.
5. Please drill a 1/2" pilot on the inside of the cut line.



### For Wood Counter tops:

1. Mark and pre-drill the wood screw holes at the locations shown on the template.
2. Waterproof any exposed areas of wood.



### For Marble Counter tops:

1. Position the counter top upside down on foam padding to protect the surface. Mark and drill 3/8" holes 5/8" deep at the locations shown on the template.
2. Use a setting tools and hammer to secure the anchors.



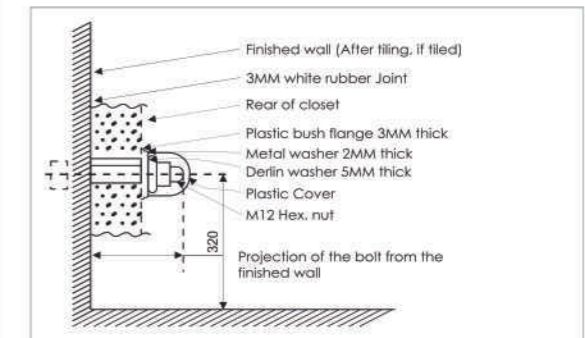
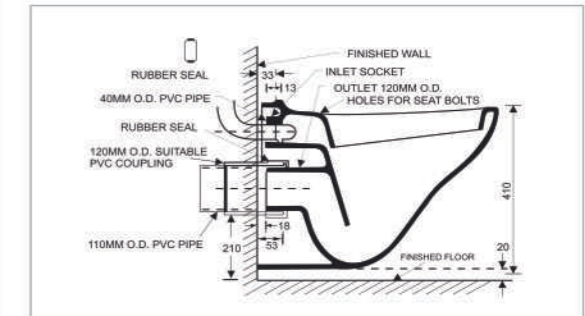
### For All Installations :

1. If the counter top has not been installed, install it at this time.
2. Drill the faucet holes according to the faucet installation instructions.
3. Install the faucet to the counter top according to the manufacture's instructions.
4. Install the drain to the lavatory according to the manufacture's instructions.

## INSTALLATION DETAILS OF WALL HUNG

### CONCEALED WALLHUNG

1. If the wall is going to be plastered for a thickness of 12 mm and a tile thickness of 6-7 mm, the projection of the bolts from the finished wall should be 66mm only.
2. If the thickness of Plastering and tile is less than the dimensions mentioned above, the bolts that are supplied along with the bracket should be moved into the wall by using a suitable spacer washer between the bolt head and the bracket frame.
3. The bracket should be buried into the floor so that the height from the center line of the bolt to the surface of the finished floor is 320mm.



## MAINTENANCE

Like any other part of your houses, the bathroom can be made to look great and made to last long if it is taken care of regularly. To make your bathroom beautiful here are some invaluable tips.

### Wash Basin

A mild detergent can be used to wash the basin at least once a day. After washing, the basin should be wiped out clearly to avoid water stains.

### Closets

Cleanser like harpic can be used to clear the closet with soft plastic brush, at least once a day. To avoid minute discoloring, after flushing the toilet give it a once over with the soft brush.

Keep the toilet brush handy in a convenient stand nearby. In case toilet and basins, if there has been no maintenance since long period of time, water deposit and discoloration can form on the surface of areas that get wet, in such cases, these stains/marks can be removed with the help of a solution of dilute hydrochloric acid. Clean with a soft cotton cloth and warm water with soap. Do not use thinner, dry cleaning liquids or powder paste. Use a liquid cleaner at least twice a week. Use Brasso or car rubbing compound and then polish with a cloth to remove fine scratches.